

# Wiring color codes

Trilogy Family

New 110 Color Codes – Updated Nov. 6<sup>th</sup>, 2009

**WD0** **NOT AVAILABLE**

WYE wound with Thermostat Digital Hall Effect Devices  
Single Cable: THF10

HED Power  
Black(+) White(gnd)

Thermostat(NC)  
Opens at 90°C

Yellow(+) Orange(-) Green/Yellow

Hall Effect Devices  
Symmetrical Response  
4.5V to 18 V Operation  
Open Collector Output  
I<sub>OUT</sub> Continuous: 15 mA

Orange/Yellow Hall C Yellow  
Brown/Yellow Hall B Blue  
Red/Yellow Hall A Green

**RELEASE DATE – Q2-2010**

**WD1** **Now Shipping**

Delta wound with Thermistor  
Single Cable: THF08

Orange Thermistor Omega 44004  
2.2 kOhms Resistance @ 25°C  
Yellow

$$\frac{1}{T} = A + B(\text{LOG}_e R) + C(\text{LOG}_e R)^2$$

Where T = °Kelvin; R = Resistance; A, B, C = fitting constants  
A=1.4626 E-3 B=2.4024 E-4 C=8.0353 E-8

Red/Yellow Hall A Blue/Yellow  
Black/Yellow Hall C Brown/Yellow White/Yellow  
Green/Yellow

**RELEASE DATE – Q2-2010**

**WD2** **Now Shipping**

Delta wound with Thermostat  
Single Cable: THF08

Thermostat(NC)  
Opens at 90°C

Yellow(+) Orange(-) Green/Yellow

Red/Yellow Hall A Blue/Yellow  
Black/Yellow Hall C Brown/Yellow White/Yellow

**RELEASE DATE – Q2-2010**

**WD3** **NOT AVAILABLE**

Delta wound with Thermostat Digital Hall Effect Devices  
Single Cable: THF10

HED Power  
Black(+) White(gnd)

Thermostat(NC)  
Opens at 90°C

Grey(+) Violet(-) Green/Yellow

Hall Effect Devices  
Symmetrical Response  
4.5V to 18 V Operation  
Open Collector Output  
I<sub>OUT</sub> Continuous: 15 mA

Red/Yellow Hall A Green  
Orange/Yellow Hall C Brown/Yellow  
Hall B Blue

**RELEASE DATE – Q2-2010**

**WD4** **NOT AVAILABLE**

Delta wound with Thermistor Digital Hall Effect Devices  
Single Cable: THF10

HED Power  
Black(+) White(gnd)

Thermistor Omega 44004  
2.2 kOhms Resistance @ 25°C  
Violet

$$\frac{1}{T} = A + B(\text{LOG}_e R) + C(\text{LOG}_e R)^2$$

Where T = °Kelvin; R = Resistance; A, B, C = fitting constants  
A=1.4626 E-3 B=2.4024 E-4 C=8.0353 E-8

Red/Yellow Hall A Green  
Orange/Yellow Hall C Brown/Yellow  
Hall B Blue

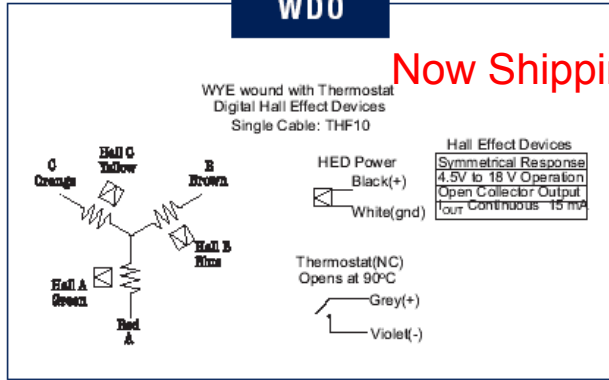
Green/Yellow

**RELEASE DATE – Q2-2010**

## 110 Wiring – Old wire color codes

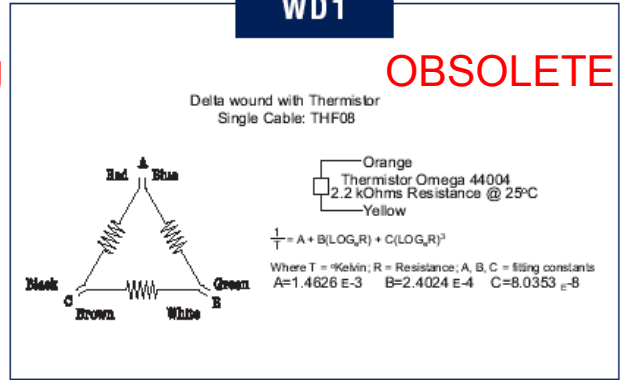
### WD0

Now Shipping



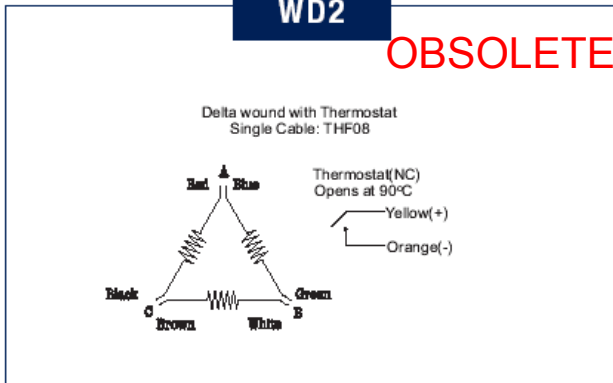
### WD1

OBSOLETE



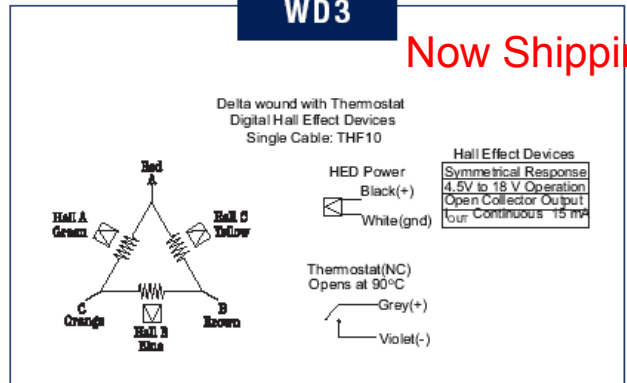
### WD2

OBSOLETE



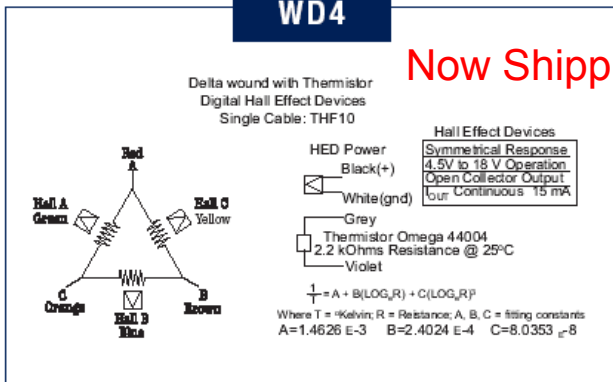
### WD3

Now Shipping



### WD4

Now Shipping



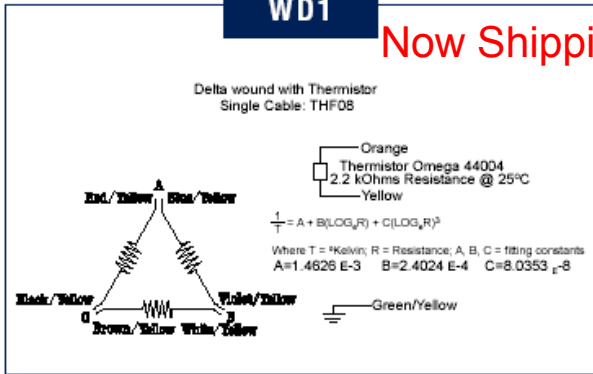
# Wiring color codes

Trilogy Family

New 210 Color Codes – Updated Nov. 6<sup>th</sup>, 2009

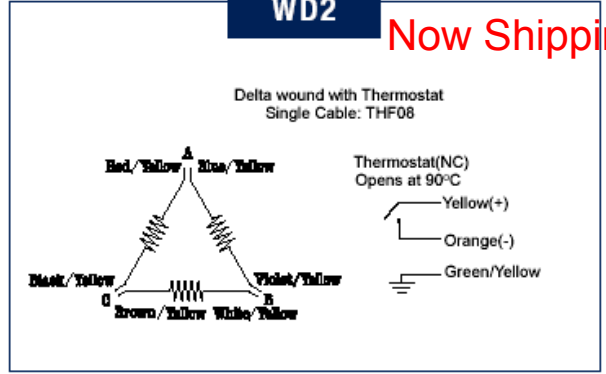
**WD1**

Now Shipping



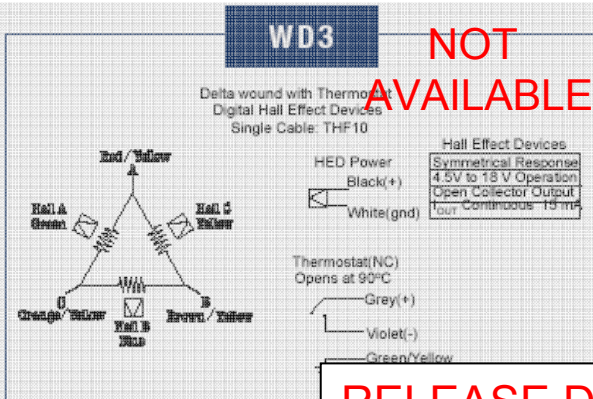
**WD2**

Now Shipping



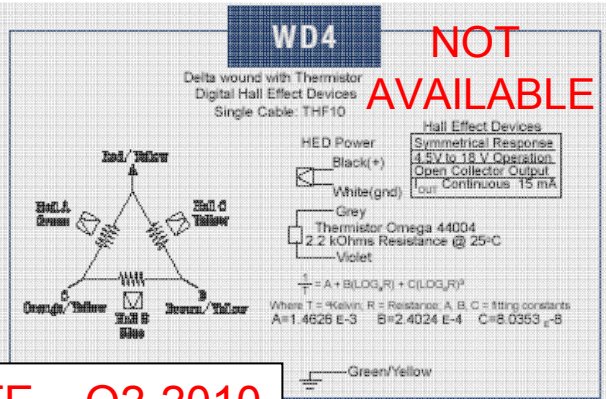
**WD3**

NOT AVAILABLE



**WD4**

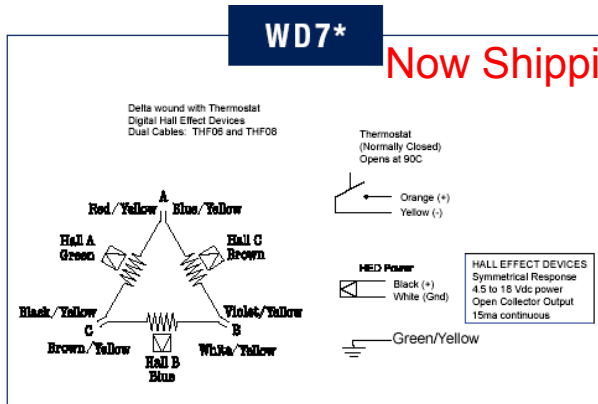
NOT AVAILABLE



RELEASE DATE – Q2-2010

**WD7\***

Now Shipping



\*Preferred Configuration with Parker Drives

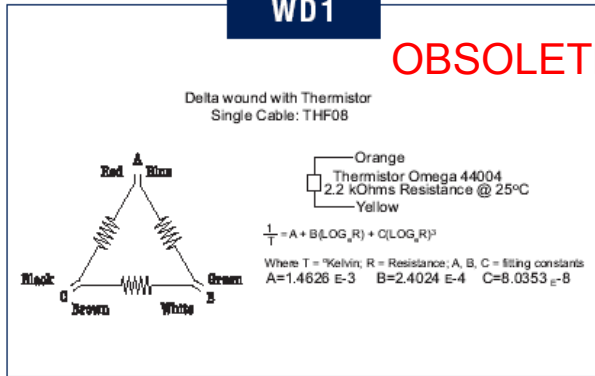
# Wiring color codes

Trilogy Family

## 210 Wiring – Old wire color codes

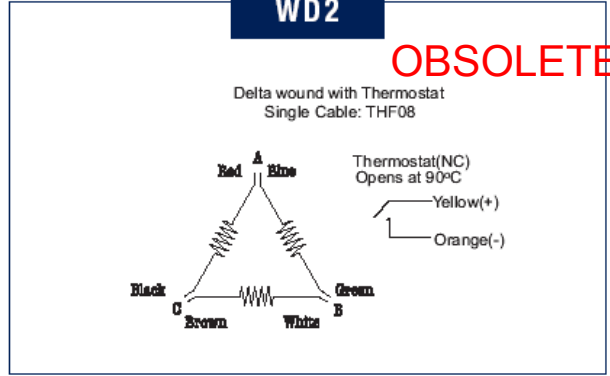
**WD1**

**OBSOLETE**



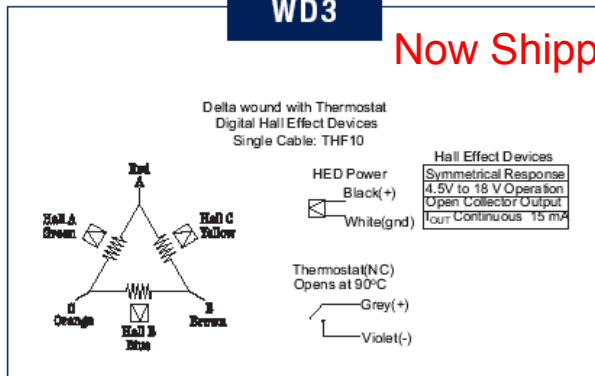
**WD2**

**OBSOLETE**



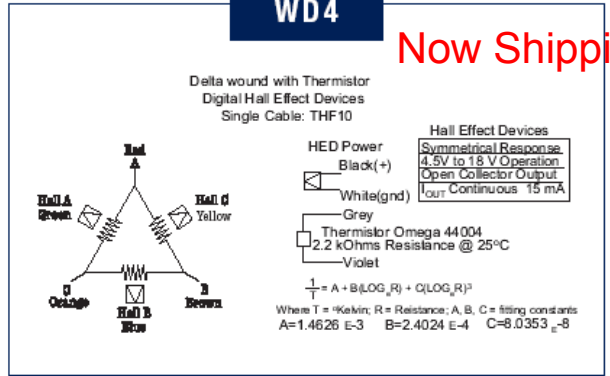
**WD3**

**Now Shipping**



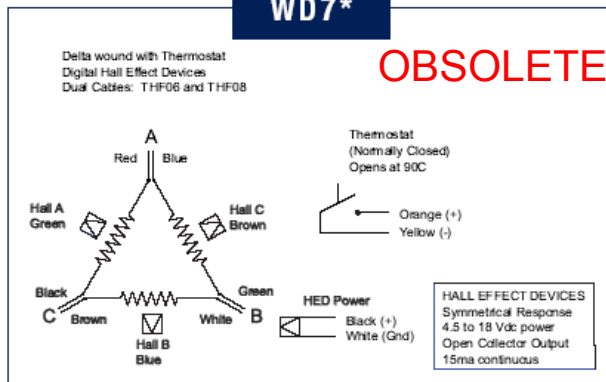
**WD4**

**Now Shipping**



**WD7\***

**OBSOLETE**



\*Preferred Configuration with Parker Drives

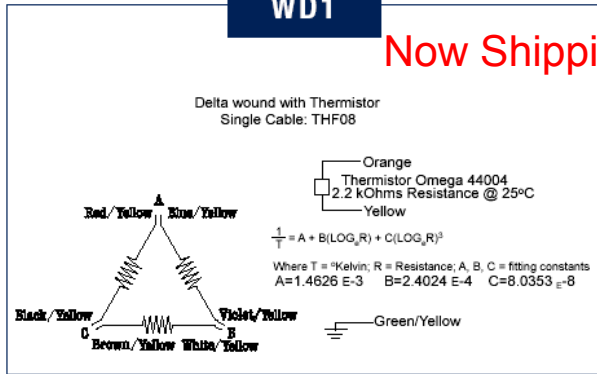
# Wiring color codes

Trilogy Family

New 310 Color Codes – Updated Feb. 19<sup>th</sup>, 2009

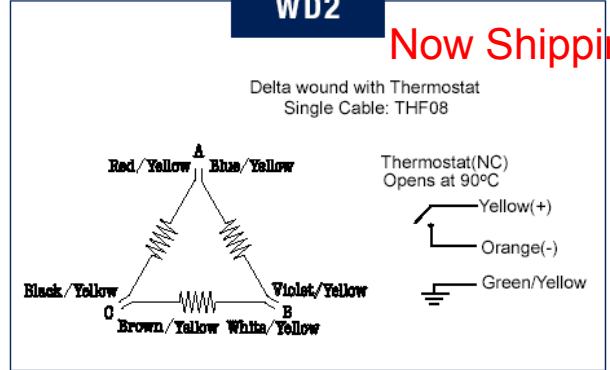
**WD1**

Now Shipping



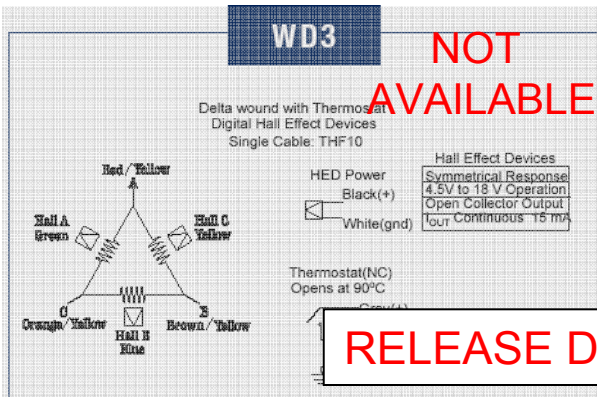
**WD2**

Now Shipping



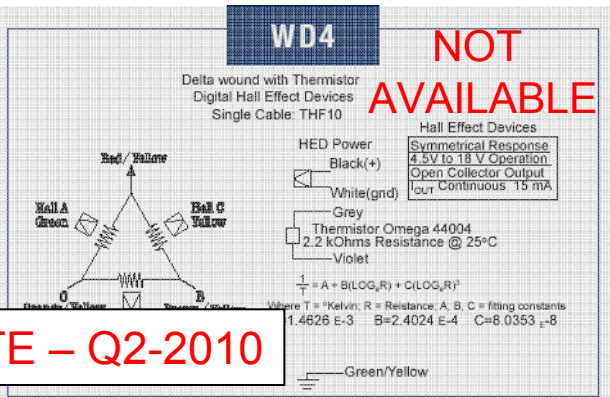
**WD3**

NOT AVAILABLE



**WD4**

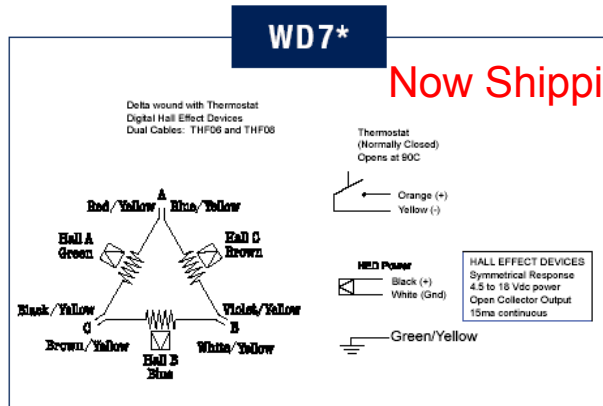
NOT AVAILABLE



RELEASE DATE – Q2-2010

**WD7\***

Now Shipping



\*Preferred Configuration with Parker Drives

# Wiring color codes

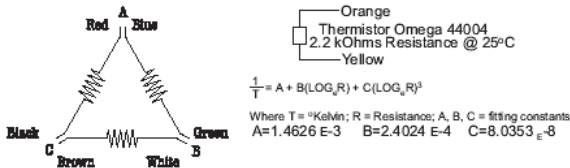
Trilogy Family

## 310 Wiring – Old wire color codes

**WD1**

**OBSOLETE**

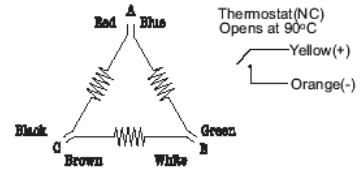
Delta wound with Thermistor  
Single Cable: THF08



**WD2**

**OBSOLETE**

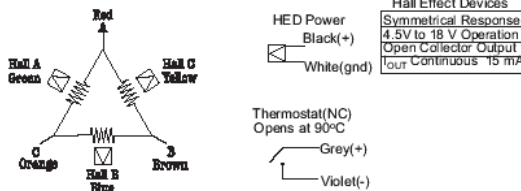
Delta wound with Thermostat  
Single Cable: THF08



**WD3**

**Now Shipping**

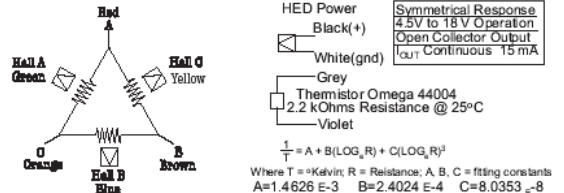
Delta wound with Thermostat  
Digital Hall Effect Devices  
Single Cable: THF10



**WD4**

**Now Shipping**

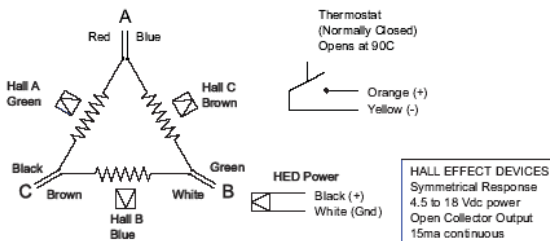
Delta wound with Thermistor  
Digital Hall Effect Devices  
Single Cable: THF10



**WD7\***

**OBSOLETE**

Delta wound with Thermostat  
Digital Hall Effect Devices  
Dual Cables: THF06 and THF08

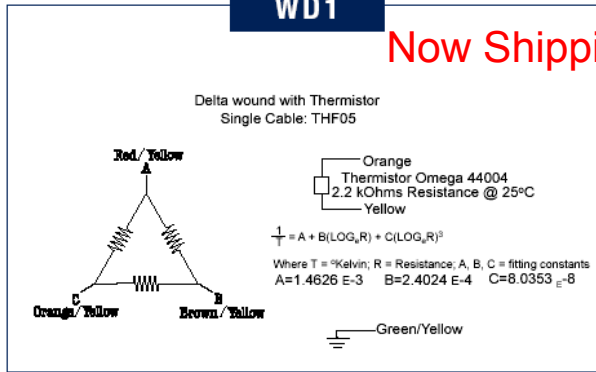


\*Preferred Configuration with Parker Drives

New 410 Color Codes – Updated Feb. 19<sup>th</sup>, 2009

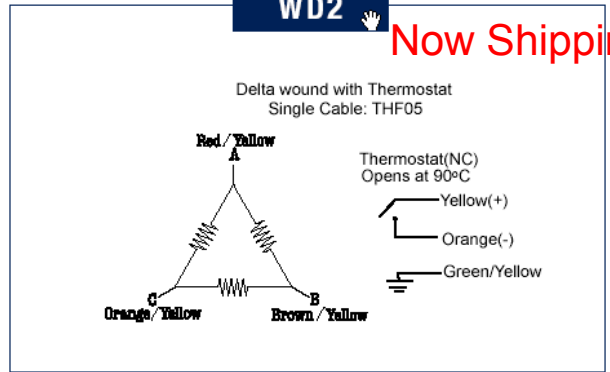
**WD1**

Now Shipping



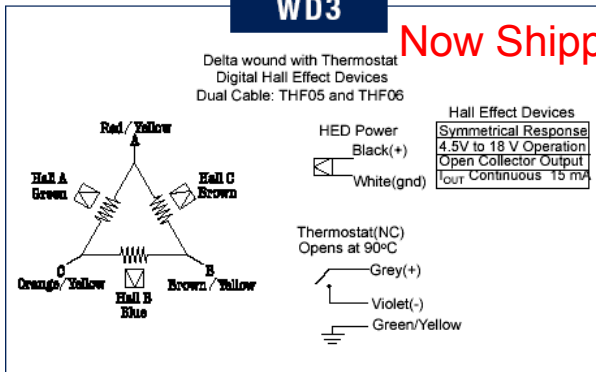
**WD2**

Now Shipping



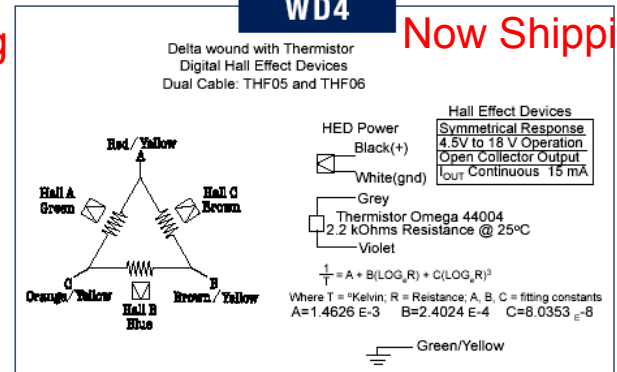
**WD3**

Now Shipping



**WD4**

Now Shipping

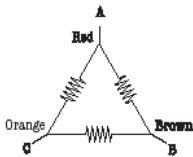


## 410 Wiring – Old wire color codes

**WD1**

**OBSOLETE**

Delta wound with Thermistor  
Single Cable: THF05



Orange  
Thermistor Omega 44004  
2.2 kOhms Resistance @ 25°C  
Yellow

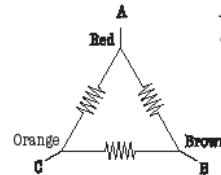
$$\frac{1}{T} = A + B(\text{LOG}_e R) + C(\text{LOG}_e R)^2$$

Where T = °Kelvin; R = Resistance; A, B, C = fitting constants  
A=1.4626 E-3 B=2.4024 E-4 C=8.0353 E-8

**WD2**

**OBSOLETE**

Delta wound with Thermostat  
Single Cable: THF05

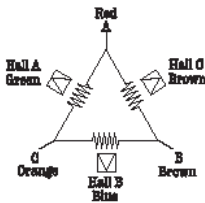


Thermostat(NC)  
Opens at 90°C  
Yellow(+)  
Orange(-)

**WD3**

**OBSOLETE**

Delta wound with Thermostat  
Digital Hall Effect Devices  
Dual Cable: THF05 and THF06



HED Power  
Black(+)  
White(gnd)

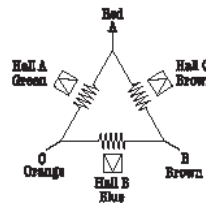
Thermostat(NC)  
Opens at 90°C  
Grey(+)  
Violet(-)

Hall Effect Devices  
Symmetrical Response  
4.5V to 18 V Operation  
Open Collector Output  
I<sub>OUT</sub> Continuous 15 mA

**WD4**

**OBSOLETE**

Delta wound with Thermistor  
Digital Hall Effect Devices  
Dual Cable: THF05 and THF06



HED Power  
Black(+)  
White(gnd)  
Grey  
Thermistor Omega 44004  
2.2 kOhms Resistance @ 25°C  
Violet

$$\frac{1}{T} = A + B(\text{LOG}_e R) + C(\text{LOG}_e R)^2$$

Where T = °Kelvin; R = Resistance; A, B, C = fitting constants  
A=1.4626 E-3 B=2.4024 E-4 C=8.0353 E-8

Hall Effect Devices  
Symmetrical Response  
4.5V to 18 V Operation  
Open Collector Output  
I<sub>OUT</sub> Continuous 15 mA